

- Designed to comply with the requirements of UL1950 and EN60950 to provide a supplementary insulation barrier with a working voltage of 250V
- UL File Number E150991
- Minimum interwinding breakdown voltage of 1500 Vrms
- Longer terminal foot provides additional surface tension, assisting with component placement
- Operating and storage temperature range: -40° to +85°C
- Meets IEC 695, 2-2 flammability requirements
- PWB Process Capability: standard printed wiring board assembly techniques, total-immersion cleaning
- Reliability testing: shock, vibration, temperature cycling, temperature - humidity - bias

**ELECTRICAL SPECIFICATIONS at 25° C**

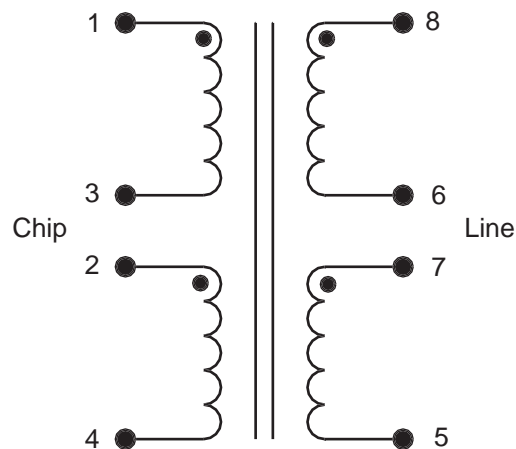
Part Number	Turns Ratio ±2%	Inductance <sup>1</sup> µH ±5%	Leakage Inductance <sup>2</sup> µH max	DCR Ω max		Interwinding Capacitance <sup>3</sup> pF max	Longitudinal Balance <sup>4</sup> dB min	Insertion Loss <sup>4</sup> dB max	Frequency Response <sup>4</sup> dB max	Harmonic Distortion <sup>4</sup> dB max
	Chip : Line	Line Side	Line Side	Chip Side	Line Side		30 kHz - 1.1 MHz	300 kHz	30 kHz - 1.1MHz	100 kHz 2 Vrms
S560-6600-P6	1 : 1.40	475	5	1.6	2.3	50	55	0.5	0.5	-80

All measurements are made with pins 2 and 3 connected and pins 6 and 7 connected

1. Inductance measured at 10 kHz, 0.1 Vac
2. Leakage inductance measured at 100 kHz, 0.1 Vac
3. Interwinding capacitance measured at 1 kHz, 1 Vac
4. Measurements made with 100Ω source and 51Ω load impedance

**SCHEMATIC**

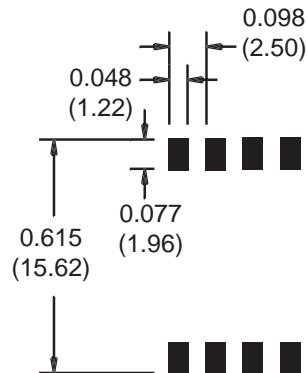
**S560-6600-P6**



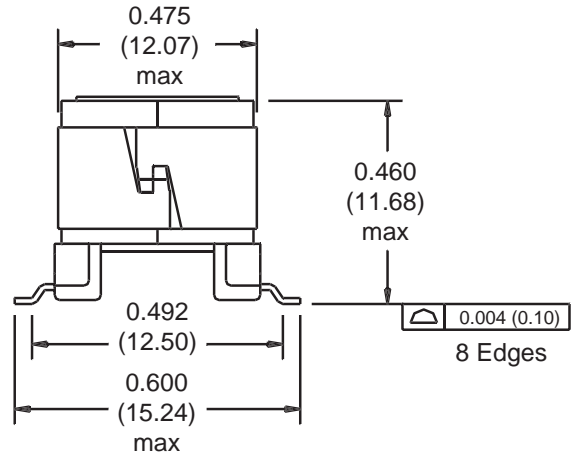
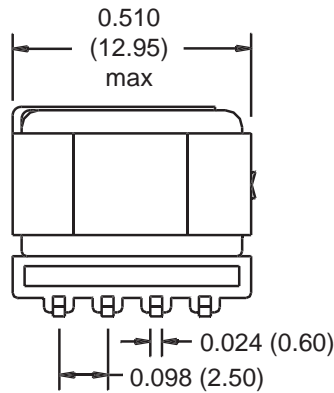
TM01344

### MECHANICAL

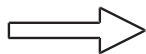
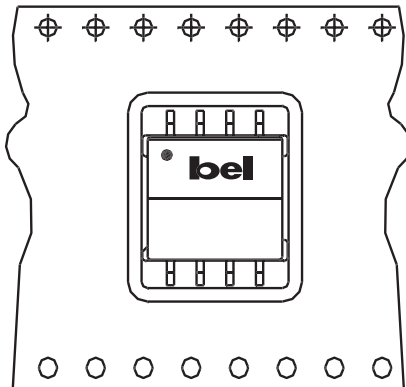
S560-6600-P6



Suggested PCB Pad Layout



Dimensions are in inches (millimeters).  
Standard dimension tolerance is  $\pm 0.005$  (0.13) unless otherwise noted.



User Feed Direction

Orientation of Component Inside Pocket

### Tape and Reel Packaging

32 mm wide by 24 mm pitch; 13 inch OD, 4 inch ID  
200 components per reel, maximum  
Meets ANSI/EIA 481-2 Carrier Tape Standards

©2001 Bel Fuse Inc. Specifications subject to change without notice. 06.01

#### CORPORATE

**Bel Fuse Inc.**  
206 Van Vorst Street  
Jersey City, NJ 07302  
Tel 201-432-0463  
Fax 201-432-9542  
www.belfuse.com

#### FAR EAST

**Bel Fuse Ltd.**  
8F / 8 Luk Hop Street  
San Po Kong  
Kowloon, Hong Kong  
Tel 852-2328-5515  
Fax 852-2352-3706  
www.belfuse.com

#### EUROPE

**Bel Fuse Europe Ltd.**  
Preston Technology Management Centre  
Marsh Lane, Suite G7, Preston  
Lancashire, PR1 8UD, U.K.  
Tel 44-1772-556601  
Fax 44-1772-888366  
www.belfuse.com